

SIGN WEDGE SPECIFICATIONS

VISUAL PANEL AREA
740 x 410mm

SYSTEM SIZES

BOXED SIZE

450 (L) x 430 (W) x 70 (D) mm
905 (L) x 435 (W) x 10 (D) mm

ASSEMBLED SIZE

790 (H) x 420 (D) x 420 (D) mm

BOXED WEIGHT

6.8kg

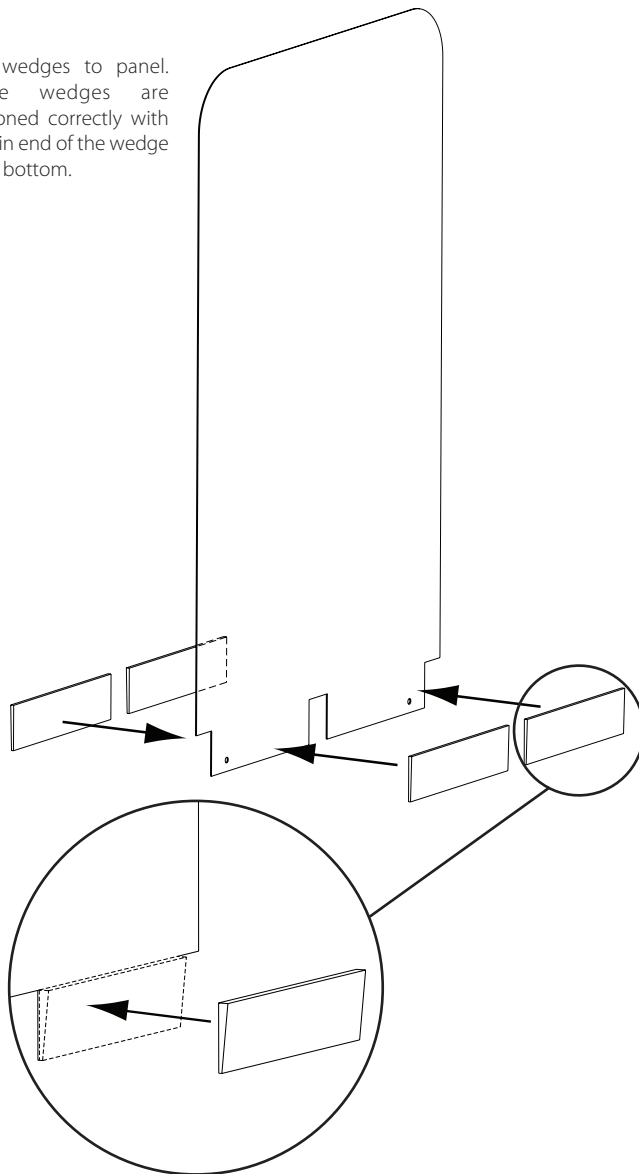
COMPONENT LIST

- 1 off recycled PVC base
- 1 off aluminium panel
- 4 off plastic wedge



PANEL PREPARATION

Stick wedges to panel. Ensure wedges are positioned correctly with the thin end of the wedge at the bottom.

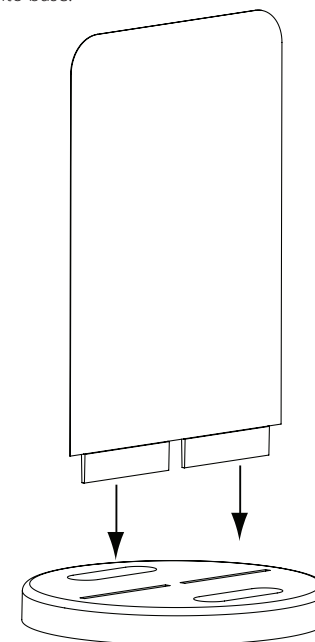


IMPORTANT NOTICE:

- Apply pressure to wedges to ensure a firm bond between panel and wedges.
- Allow adhesive to cure for 24 hours before using this product.

ASSEMBLY

- 1** Wedge panel into base.



- 2** Finished unit.

